

MA-1000 - Flat Panel Arm Solutions



MA-1000

FLAT PANEL MONITOR ARM

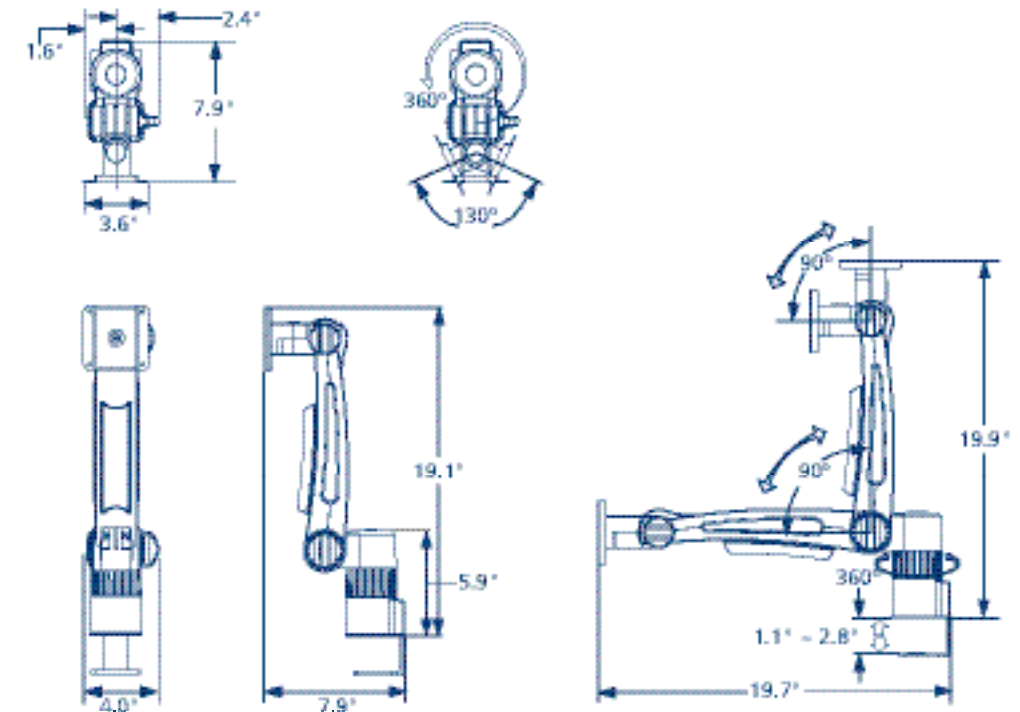
Product Code and Description

MA-1000

The latest in flat panel arm solutions swivels, tilts and adjusts monitor arm to accommodate most positions. With the twist clamp desk mount the flatscreen arm installs quickly and easily to the desk surface without using tools, simply twist to secure to desk. Additionally, a slatwall mount is available. VESA standard compliant mounting plates are included (75 mm, 100 mm). Tension control knobs are used to counterbalance various monitor weights. The overall look of the arm make this product an aesthetically pleasing design for all work environments. Also includes, pads which are used for clamping onto worksurface.

Technical Information

Height Range	0" to 19.1"
Width	4.0"
Focal Length	7.9" to 19.7"
Load Rating	6 lbs. to 12 lbs. Monitor Weight
Weight	4 lbs.
Material	ABS Plastic



Leader in Ergonomic Solutions

ISE-04-08-02

Leader in Ergonomic Solutions T 800 463-7731 F 800 461-3182 info@ise-ergonomics.com www.ise-ergonomics.com



MA-1000 Affordable ergonomics for flat panel monitors.

Flat Panel Monitor Arm

Redefine the perfect viewing angle with the MA-1000, a cost effective approach to monitor arm solutions that covers all recommended ergonomic standards.

This model swivels at two points, attaches to the work surface quickly and easily, and provides effortless height adjustments, which make everyday tasks easier to complete. Users can position the screen for optimum back, shoulder, and neck comfort while achieving a bright, crisp monitor image.



- 01 Clamps easily to edge of worksurface. Pad clamps simplify the installation process and protects the worksurface.
- 02 Tension control knobs counterbalance monitor weight from 6 lbs. to 12 lbs.
- 03 Snap on shroud for cable management. Keeps desk space clean, and organized.
- 04 Grommet mount option. Adds another mounting option for multiple installation capabilities.
- 05 Slatwall mount option. Mounts the monitor in any desired location along the slatwall to save worksurface space.
- 06 Swivel adjustment on arm base and mounting head. Makes it easier to maneuver the monitor and change positions while working.
- 07 VESA standard compliant mounting plates are included (75mm, 100mm). Accommodates all varieties of flat panel monitors.
- 08 Strong, durable, and lightweight design with slim profile. Includes a 5 year warranty.

